

Jamaica

Shading System for Urban Spaces



Design by LEMÓN
lemón-collection.com



U P S C A L E
U R B A N
F U R N I T U R E

עיצוב אלון דרורי

w w w . l e m o n - c o l l e c t i o n . c o m

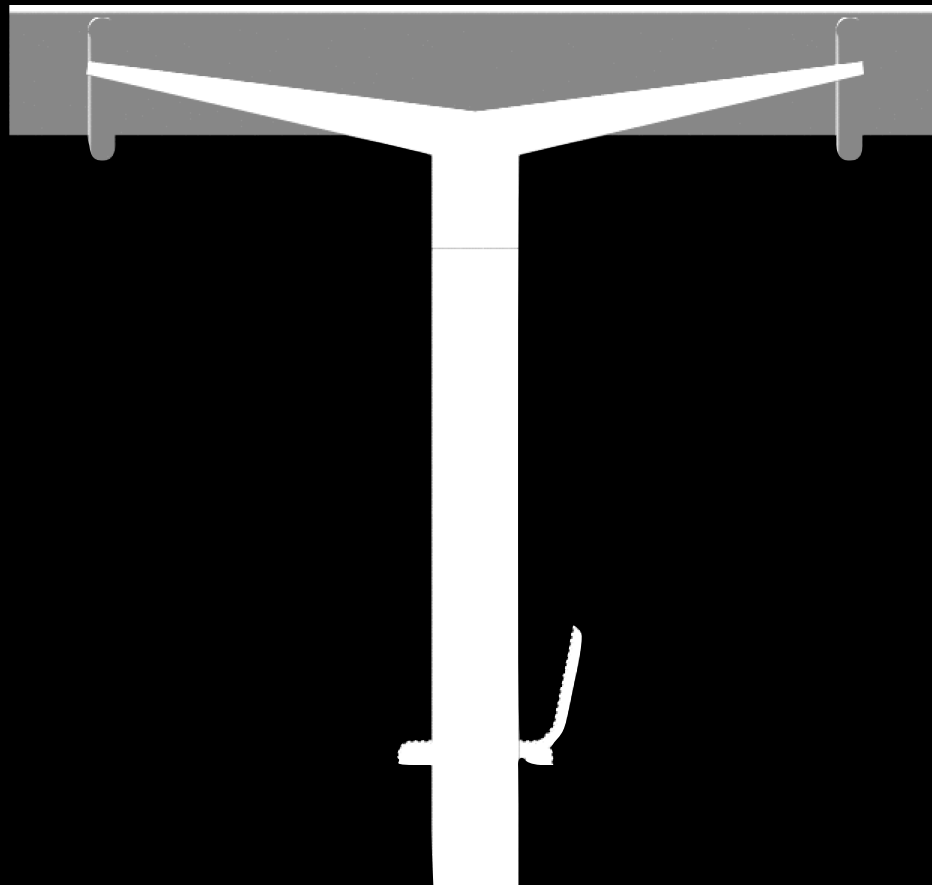
I N N O V A T I O N I N T H E P U B L I C S P A C E

רִי הוֹט אֹרְבָאנִי יִיחֹדִי

Jamaica

Shading System for Urban Spaces

T 1



Design by LEMON

Jamaica T1

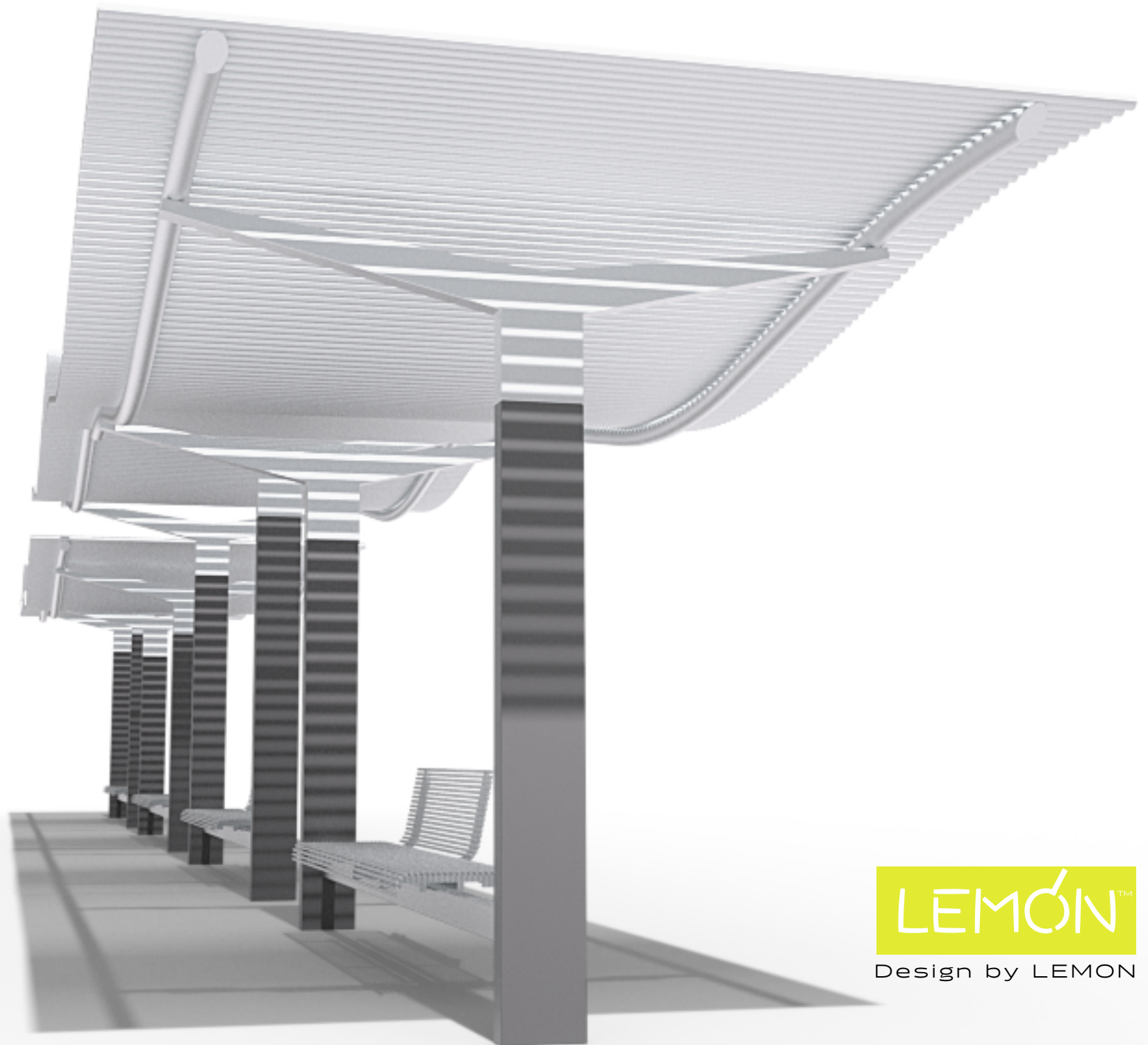
Shading System for Urban Spaces



Design by LEMON

Jamaica T1

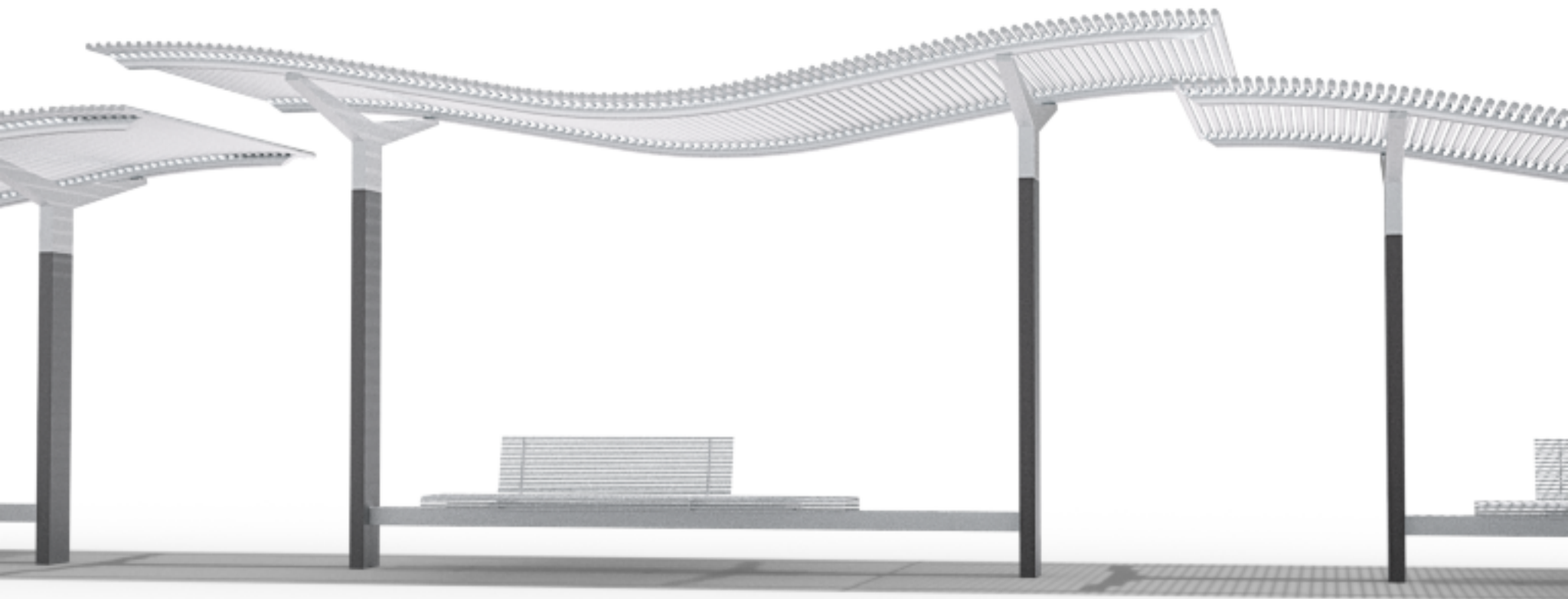
Shading System for Urban Spaces



LEMÓN™
Design by LEMON

Jamaica T1

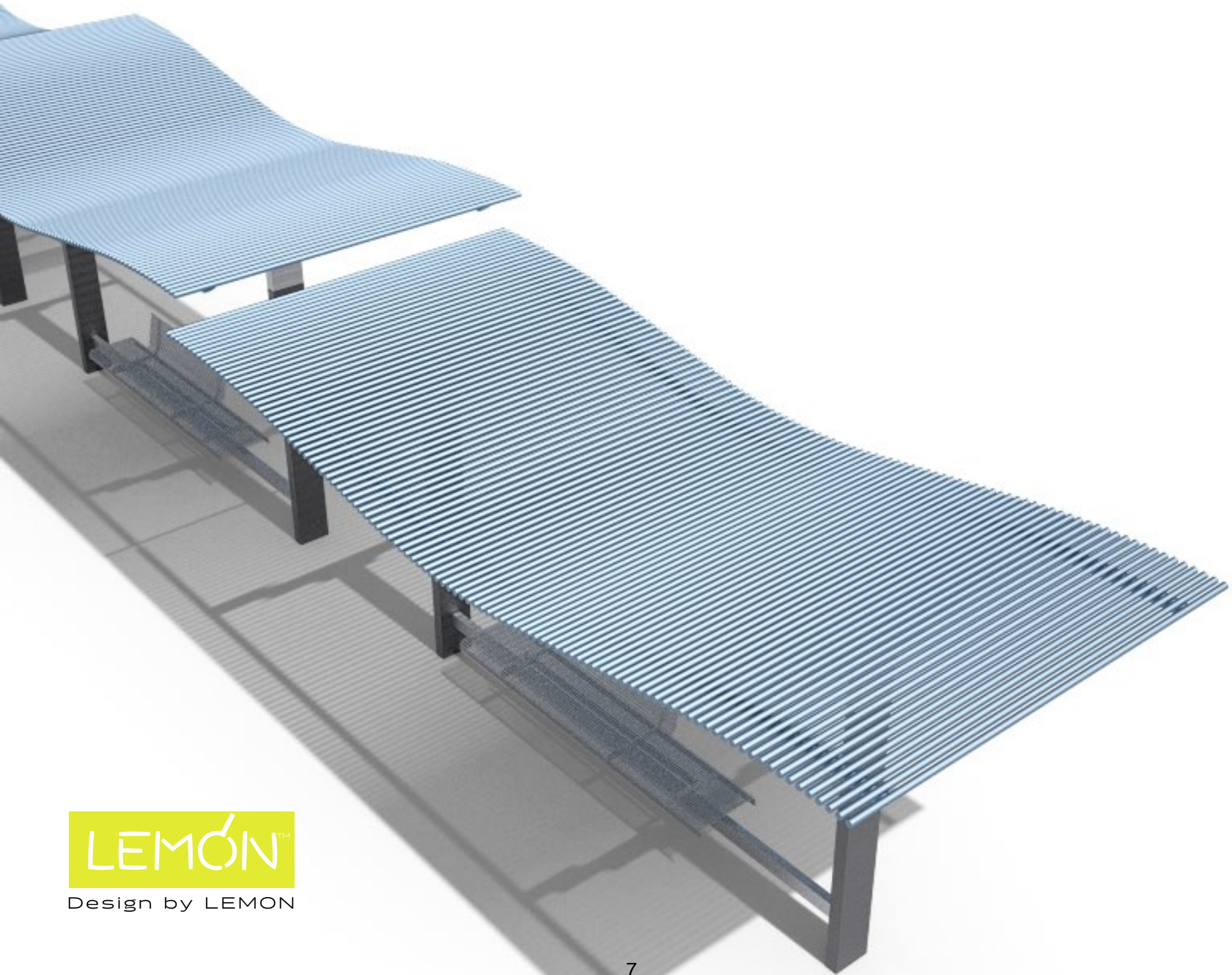
Shading System for Urban Spaces



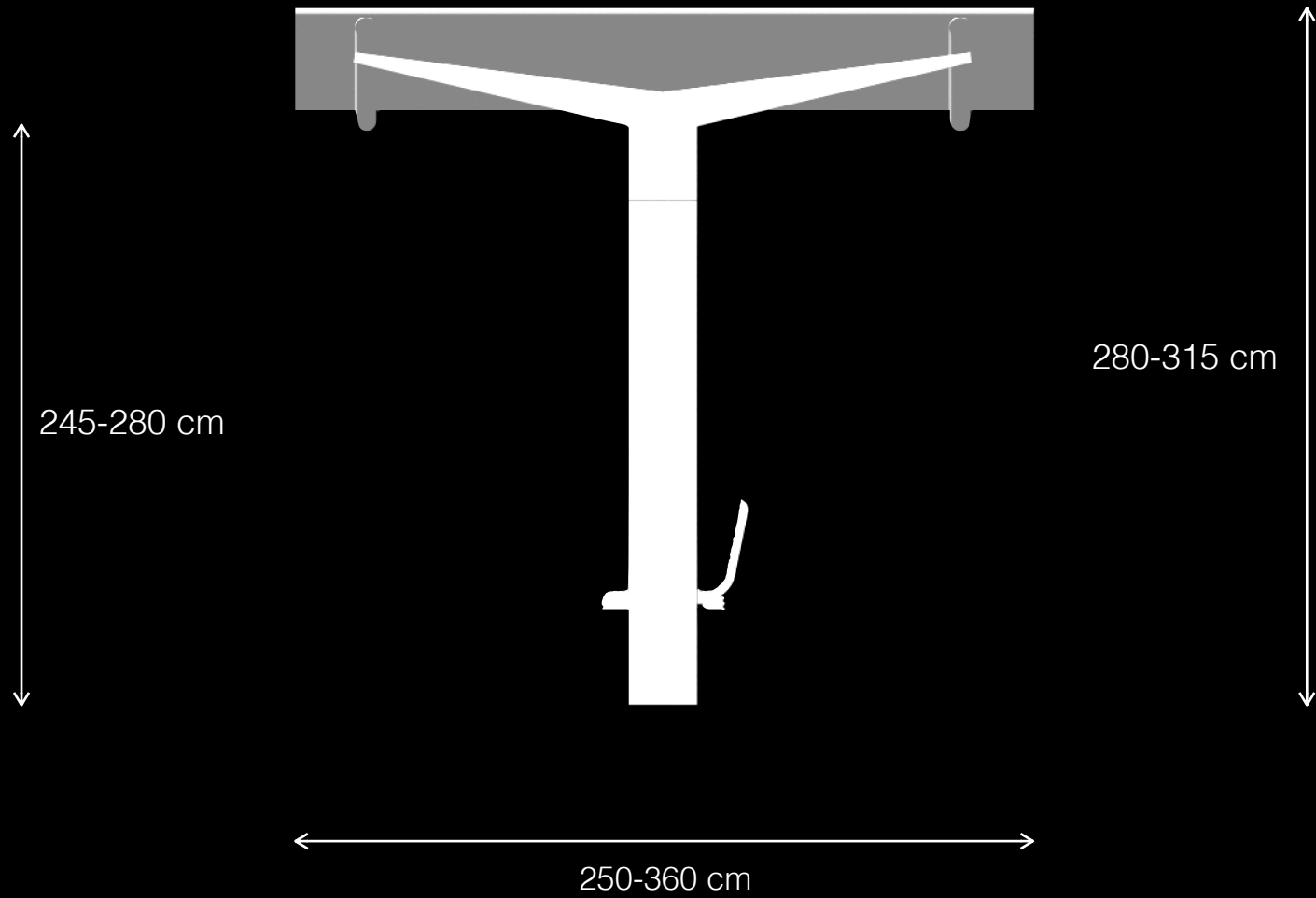
Design by LEMON

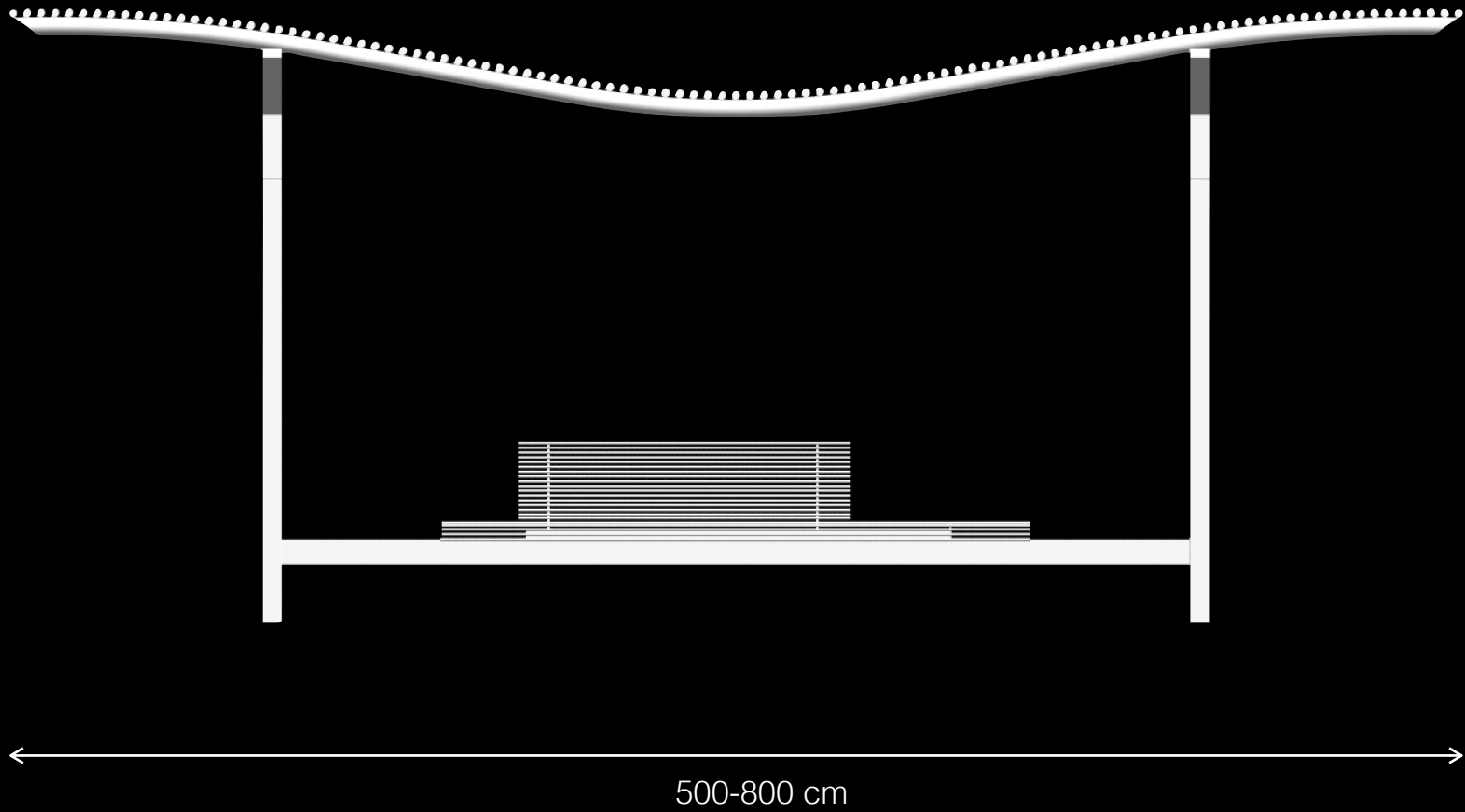
Jamaica T1

Shading System for Urban Spaces



Design by LEMON





Materials & Finishes

Structure: Epoxy/Polyester Coated Metal

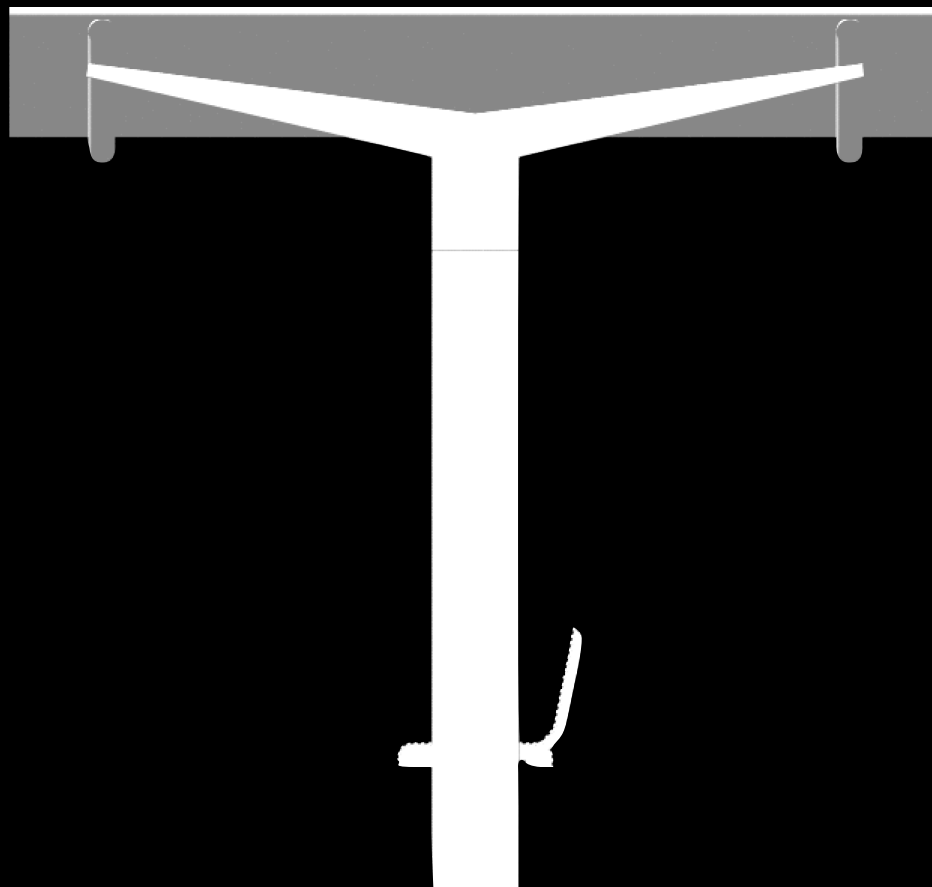
/Anodised Aluminum

/Brushed Stainless Steel

Jamaica

Shading System for Urban Spaces

T 2

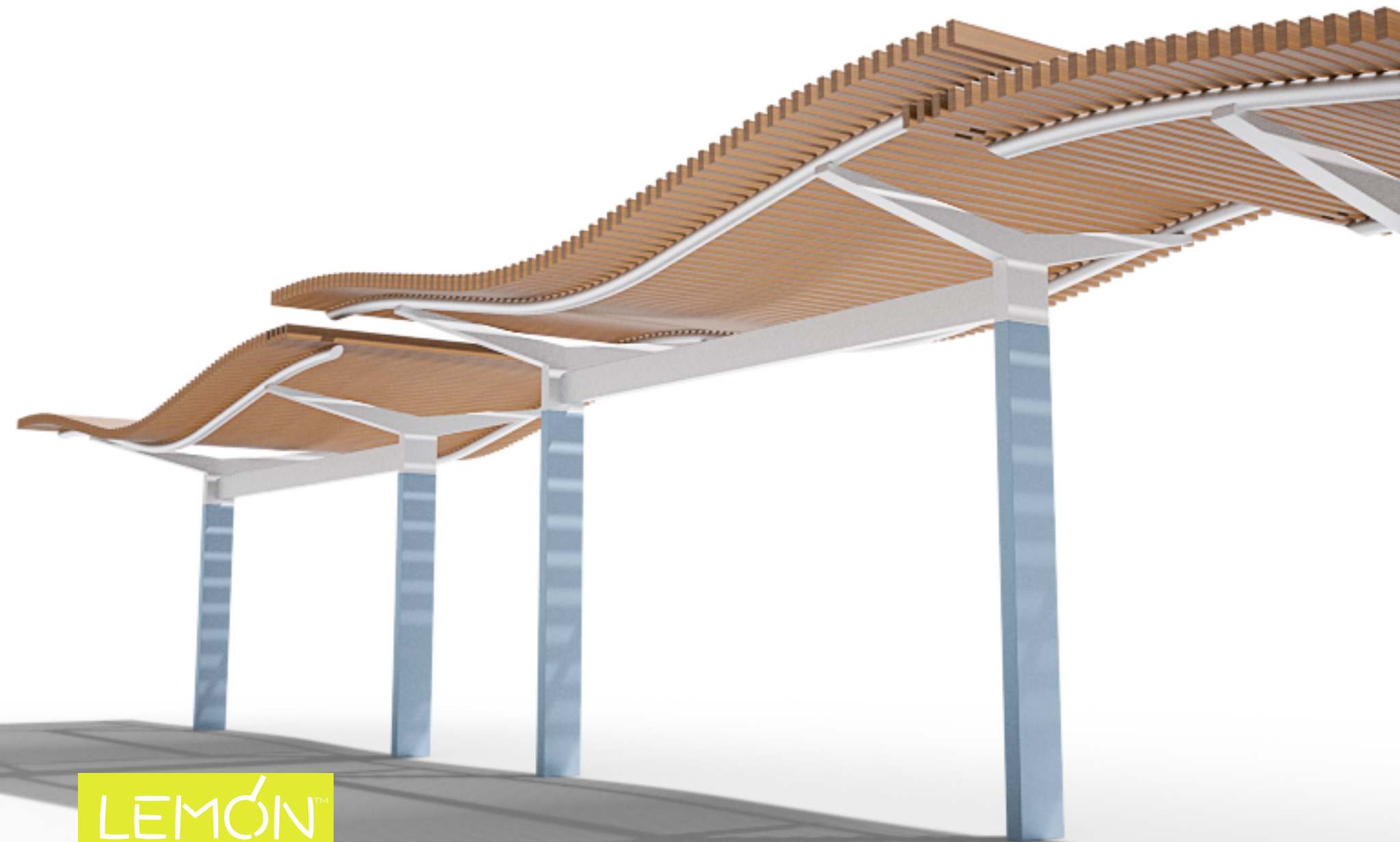


LEMÓN™

Design by LEMON

Jamaica T2

Shading System for Urban Spaces

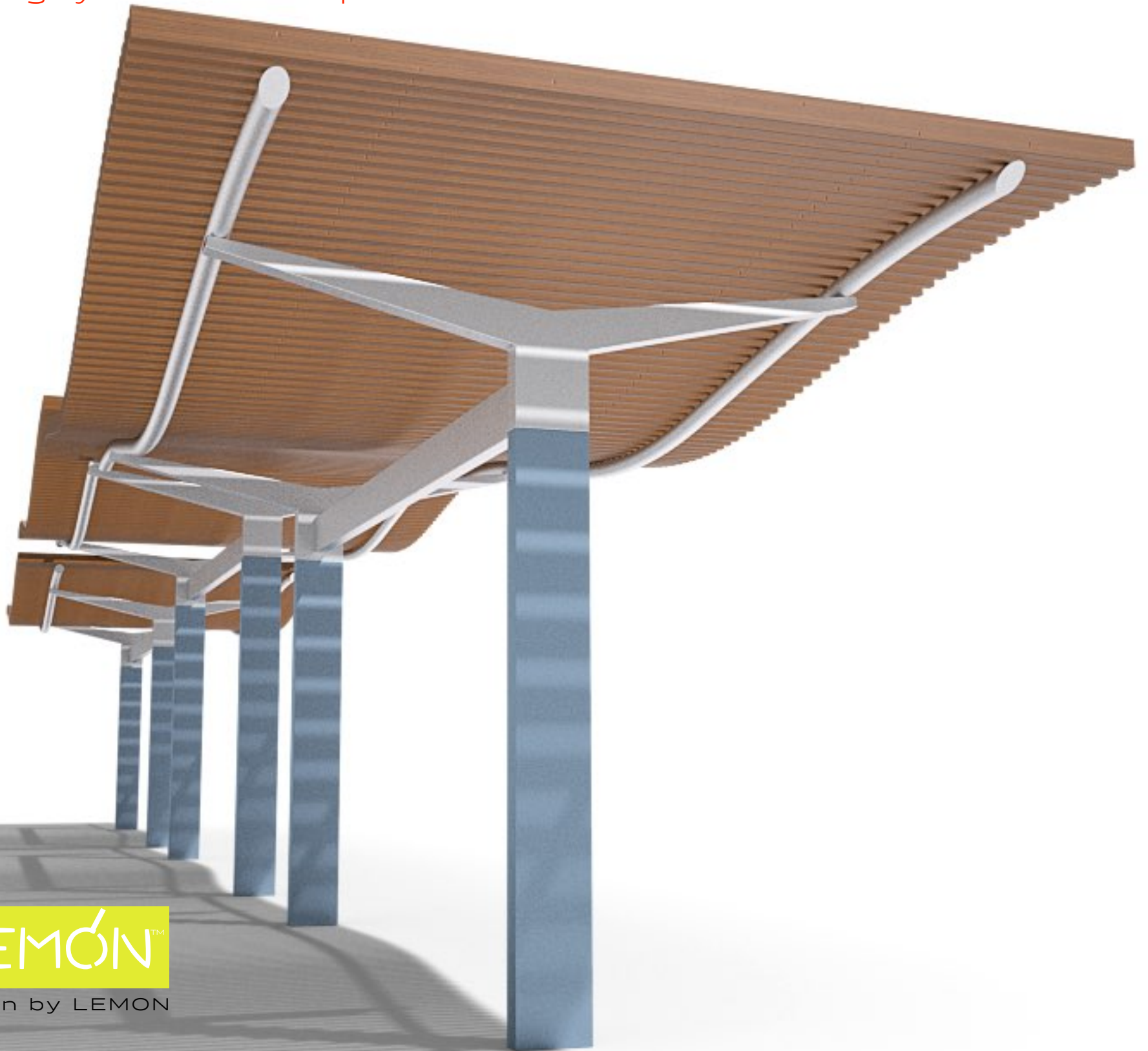


LEMÓN™

Design by LEMON

Jamaica T2

Shading System for Urban Spaces

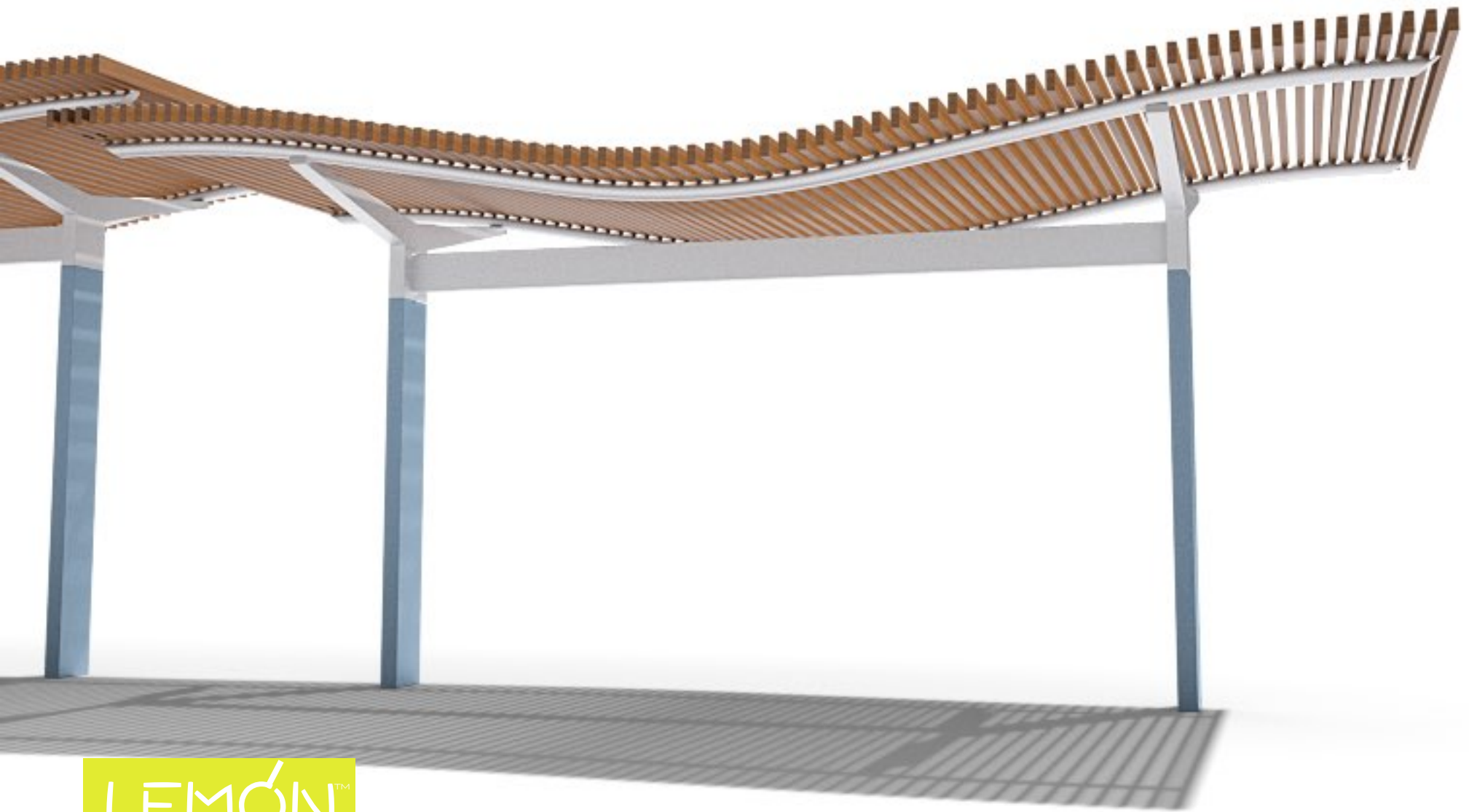


LEMÓN™

Design by LEMON

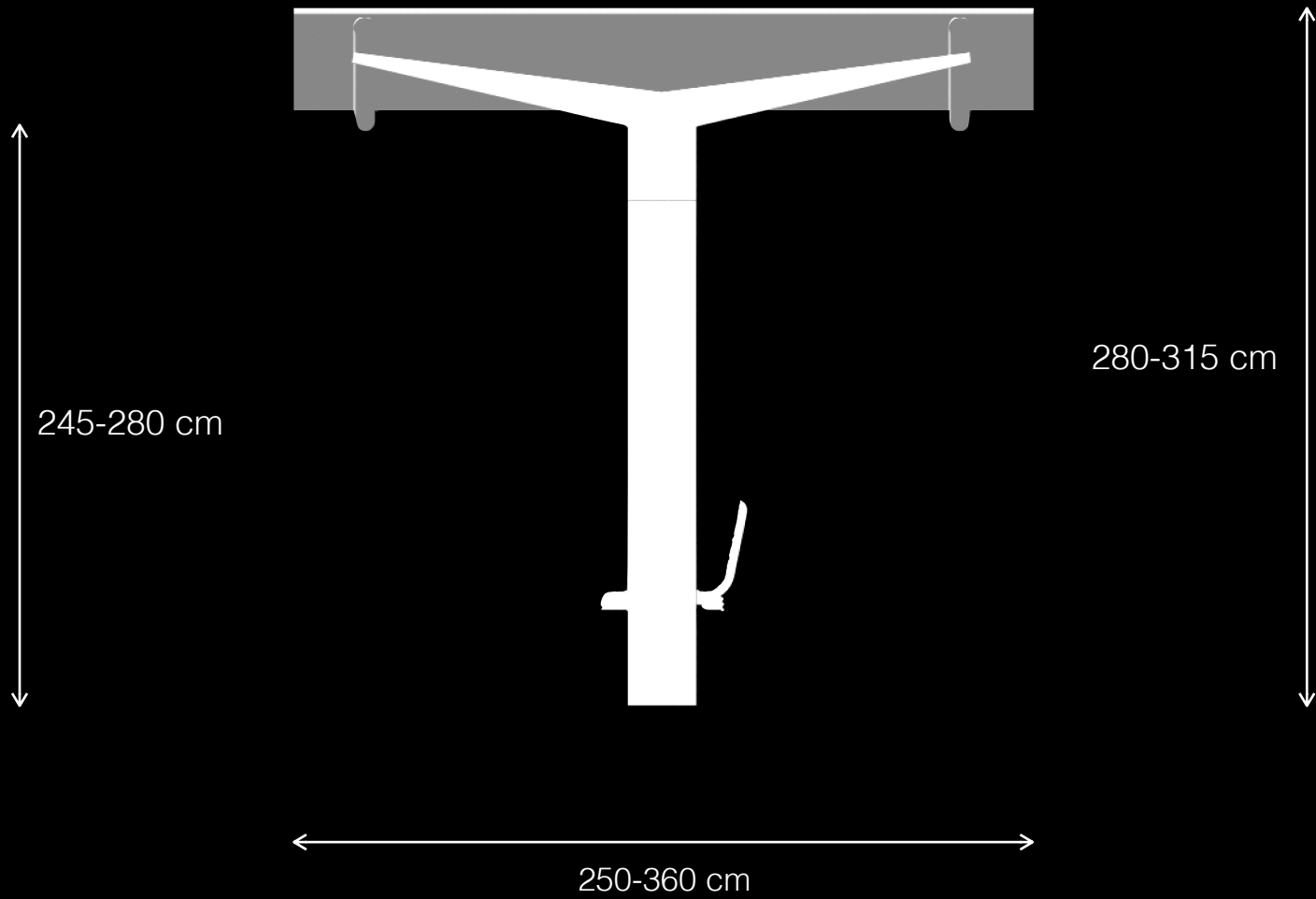
Jamaica T2

Shading System for Urban Spaces



LEMÓN™

Design by LEMON



Materials & Finishes

Structure: Epoxy/Polyester Coated Metal
/Anodised Aluminum
/Brushed Stainless Steel

Top: Wood



U P S C A L E
U R B A N
F U R N I T U R E

LEMON TLV: office@lemon-collection.com

LEMON BARCELONA: oficina@lemon-collection.com